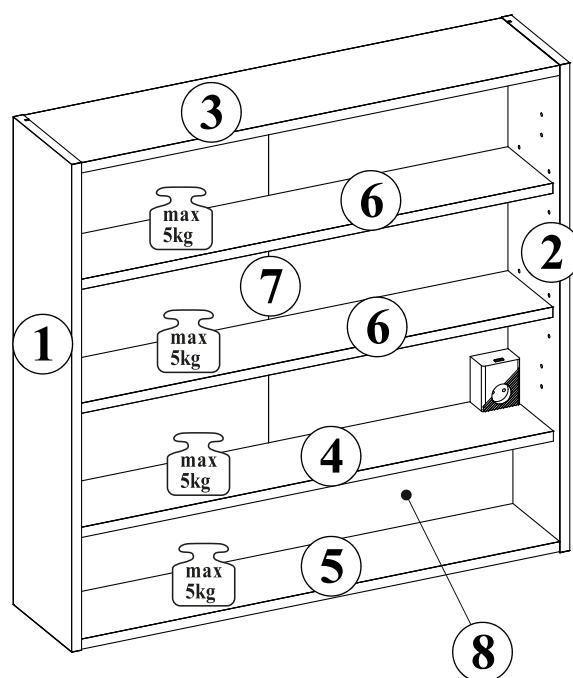
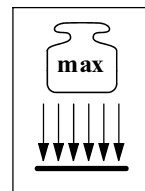
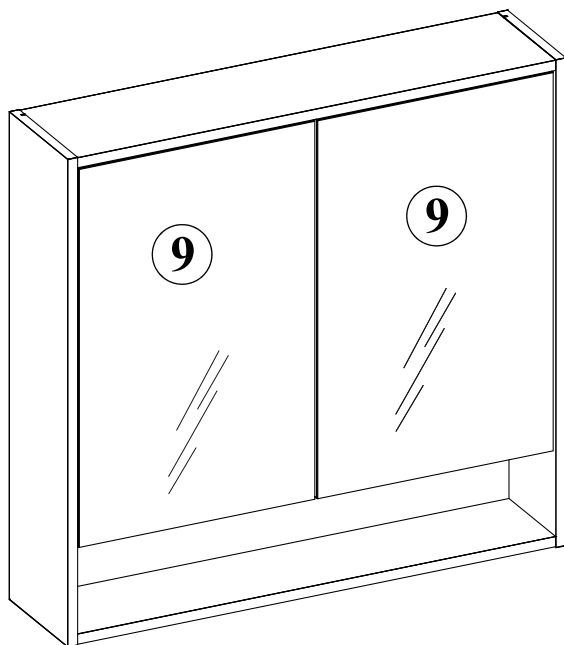


VIOLA - SZAFKA Z LUSTREM 60
 VIOLA - SZAFKA Z LUSTREM 80



SZAFKA Z LUSTREM 60

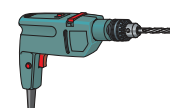
NO	Dim.			Col.-No	Qty
1	768	188	16	1/1	1
2	768	188	16	1/1	1
3	568	187	16	1/1	1
4	568	167	16	1/1	1
5	568	187	16	1/1	1
6	568	144	16	1/1	2
7	578	578	3	1/1	1
8	568	150	16	1/1	1
9	596	279	16	1/1	2

SZAFKA Z LUSTREM 80

NO	Dim.			Col.-No	Qty
1	768	188	16	1/1	1
2	768	188	16	1/1	1
3	768	187	16	1/1	1
4	768	167	16	1/1	1
5	768	187	16	1/1	1
6	768	144	16	1/1	2
7	578	778	3	1/1	1
8	768	150	16	1/1	1
9	596	379	16	1/1	2

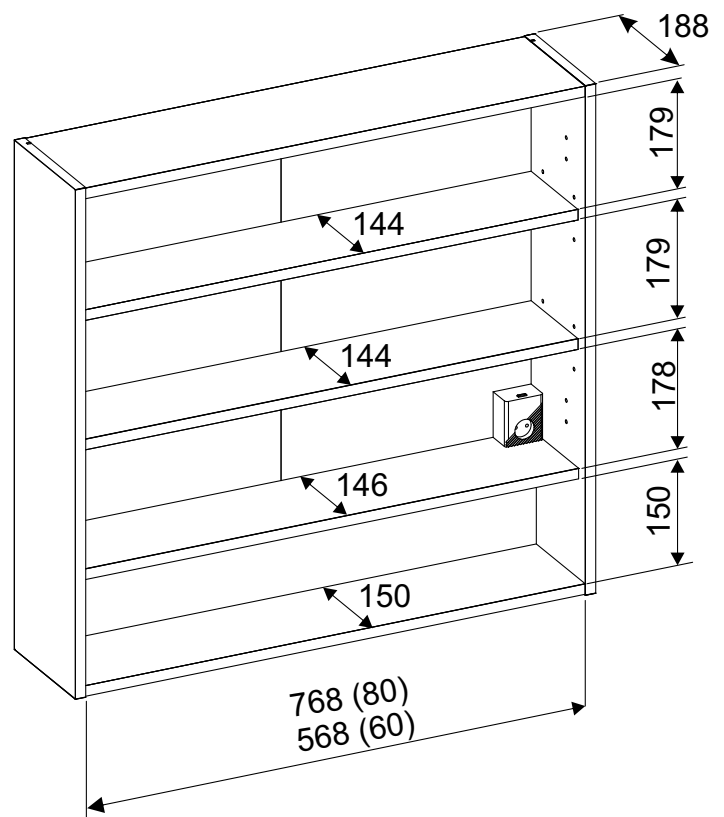
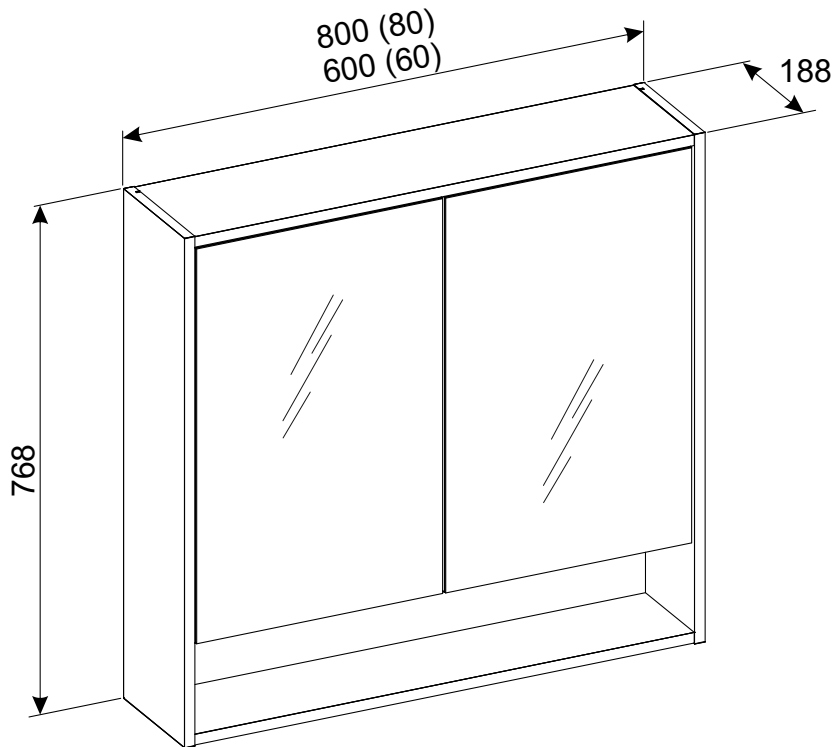


90 min

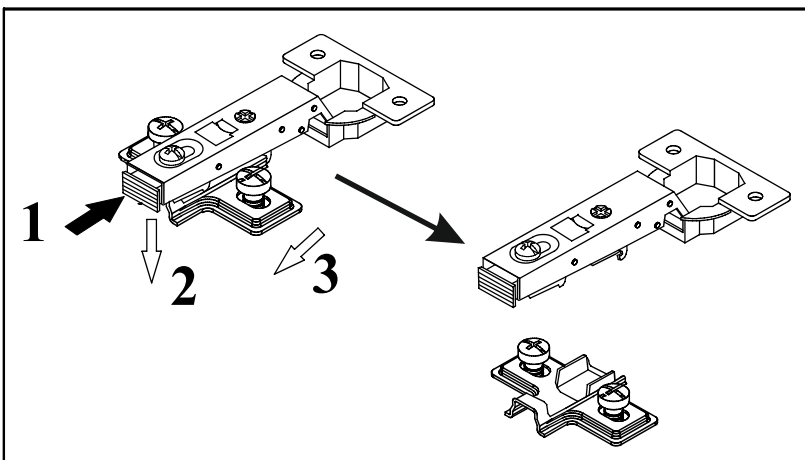
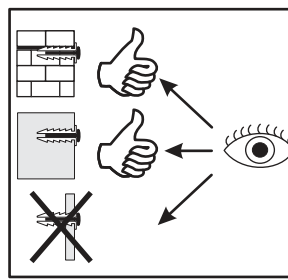
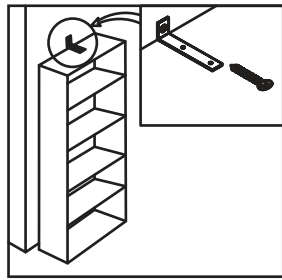
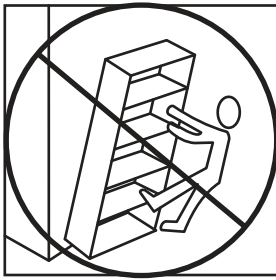
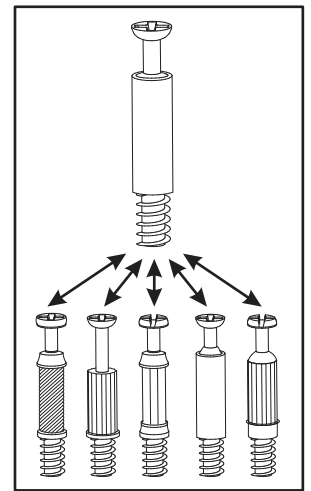
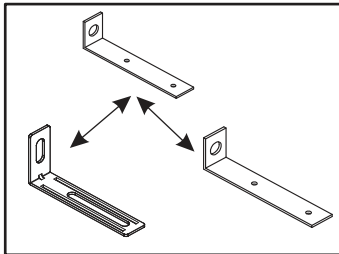
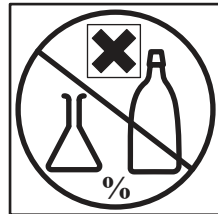
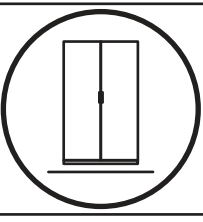
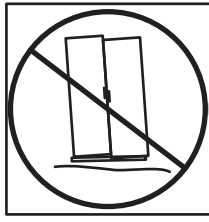
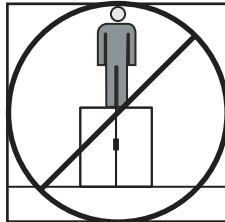
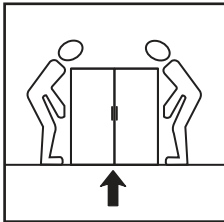
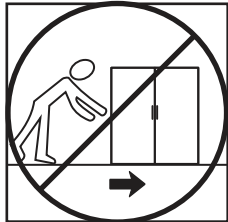
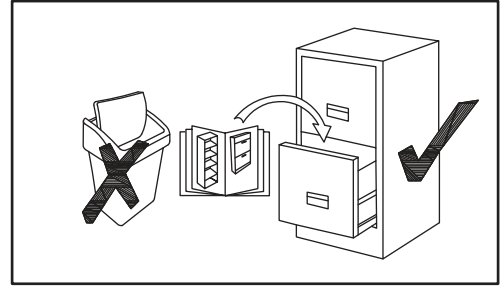
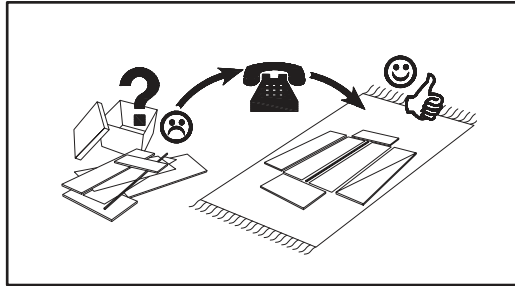
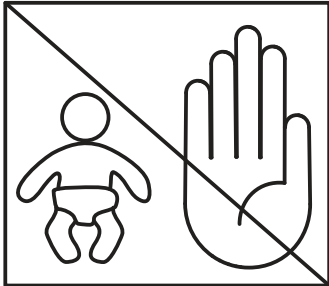
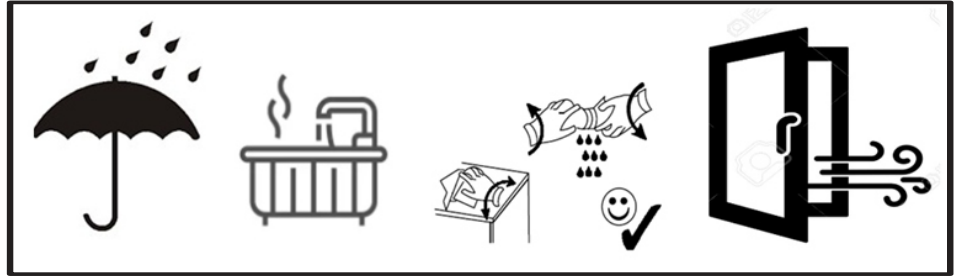
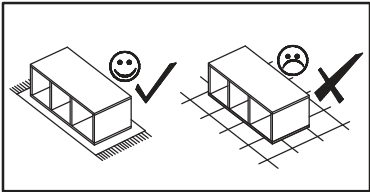
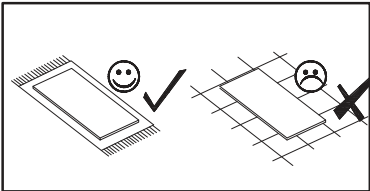


3027988

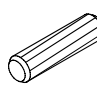



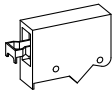
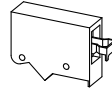

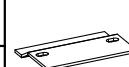


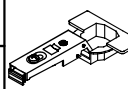
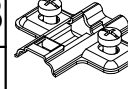

VIOLA - SZAFKA Z LUSTREM 60
VIOLA - SZAFKA Z LUSTREM 80



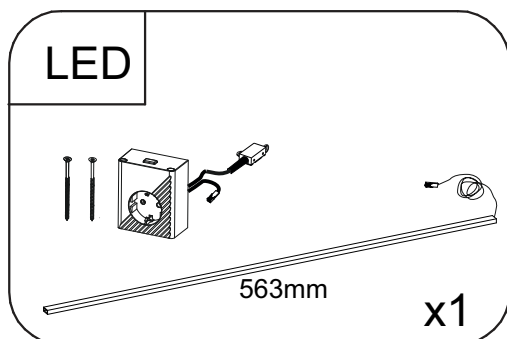
VIOLA - SZAFKA Z LUSTREM 60/80



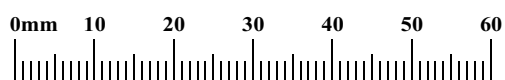
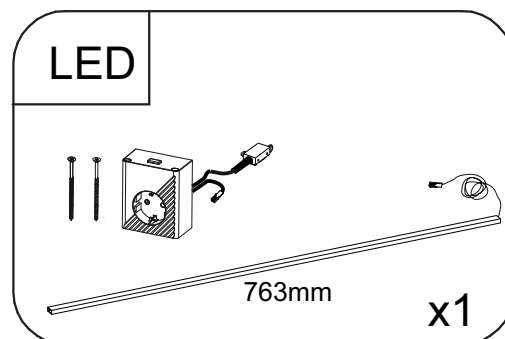
VIOLA - SZAFKA Z LUSTREM 60/80

A1 x18	3003605  ø8x35	B4 x12	3002942 	B5 x12	3001728  ø15x12	C5 x6	3024202 	ZXP x1	3004886 	ZXL x1	3004885 
D12 x10	3000574  US ø3,5x16	SZ7 x2	3001427 	S1 x8	3000344 	D6 x4	3000577  US ø4x30	E7 x4	3015877  Ø35 H=0	E28 x4	3015877  H=0
G7 x8	3000545 										

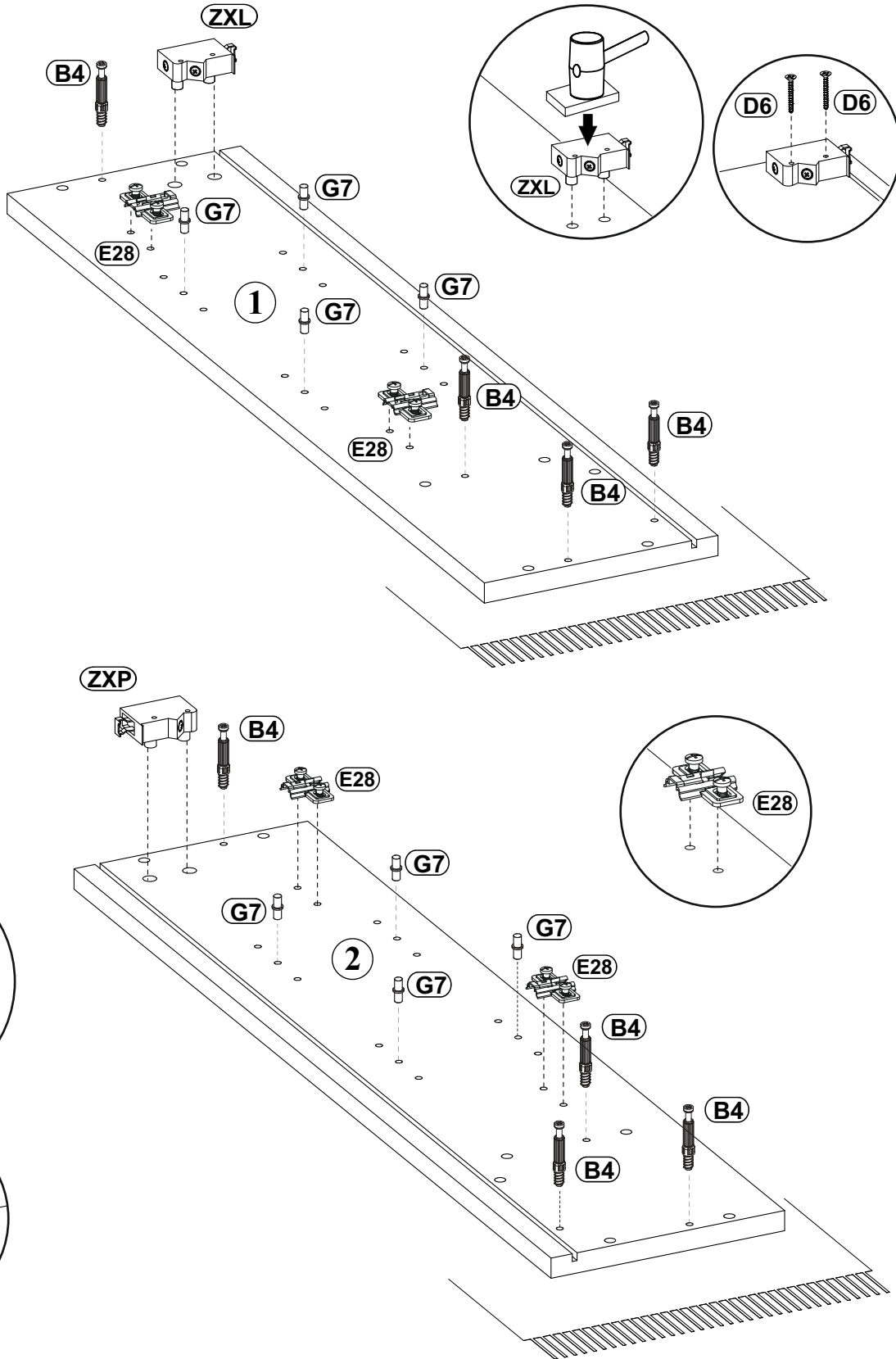
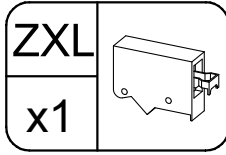
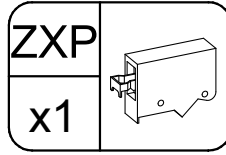
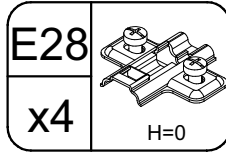
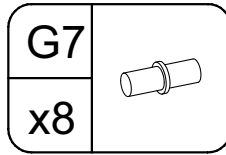
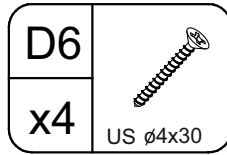
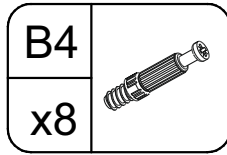
SZAFKA Z LUSTREM 60



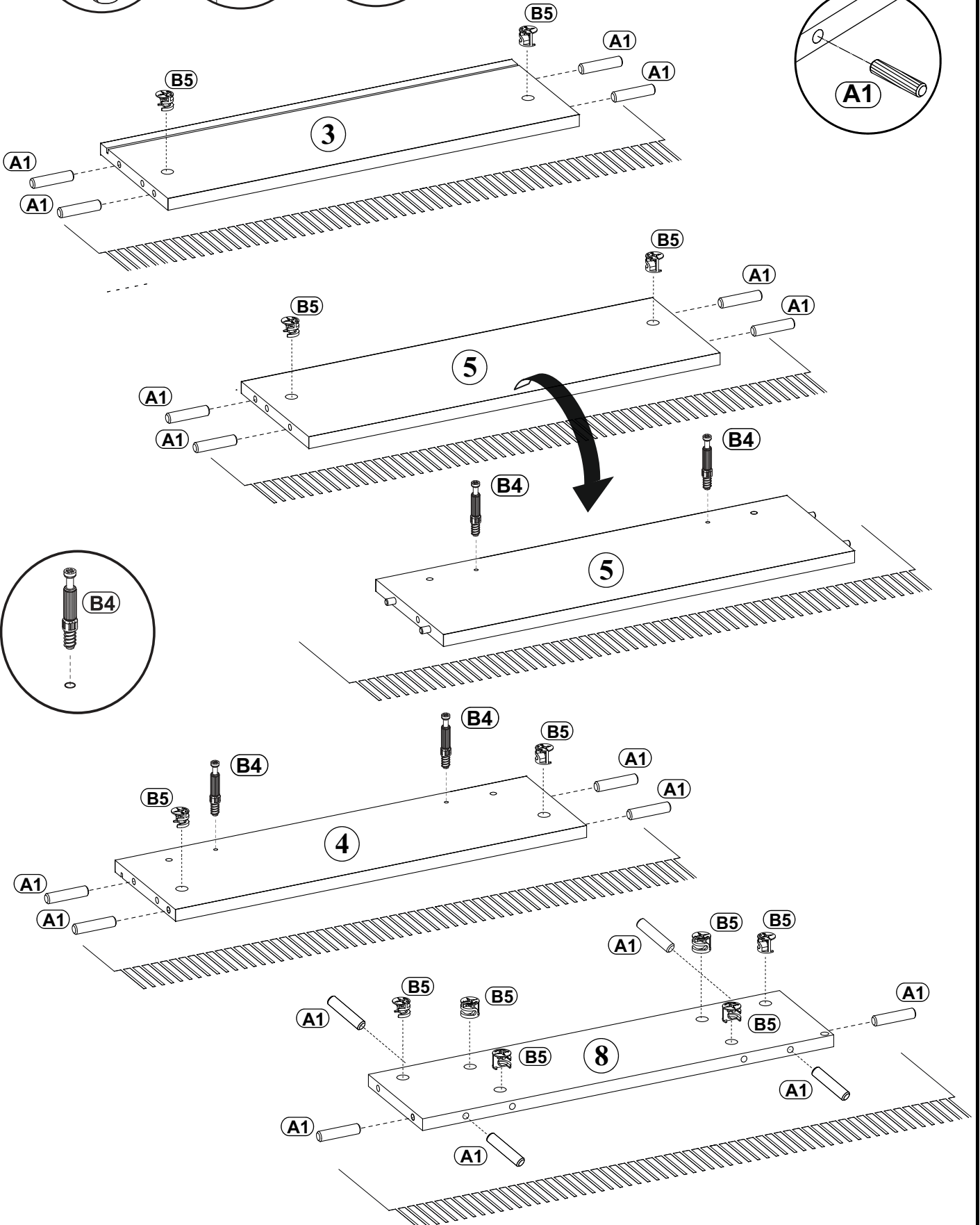
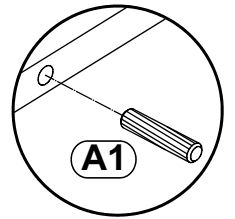
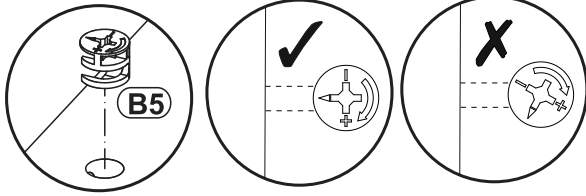
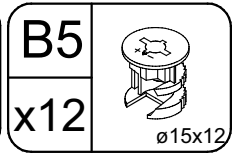
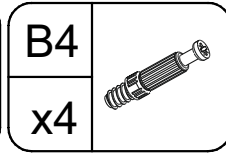
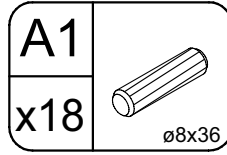
SZAFKA Z LUSTREM 80


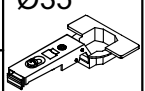


1

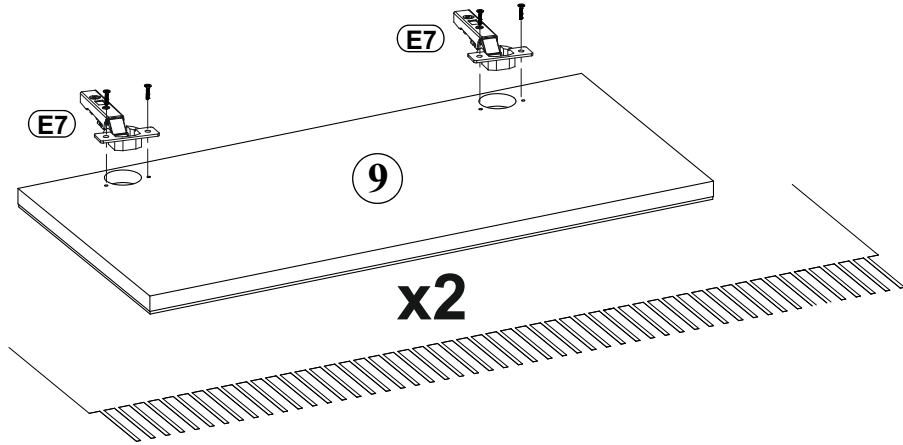
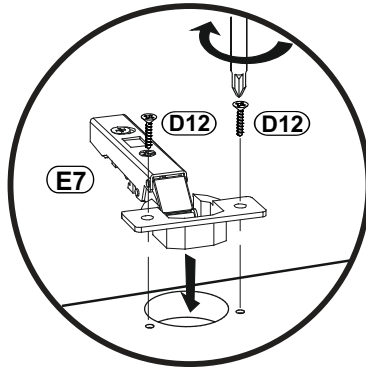
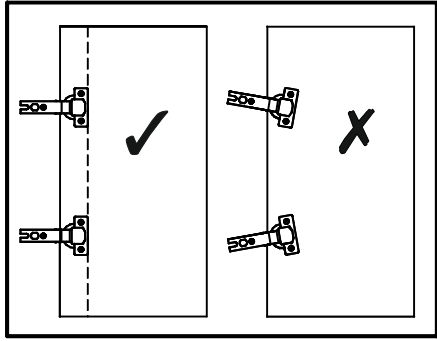


2

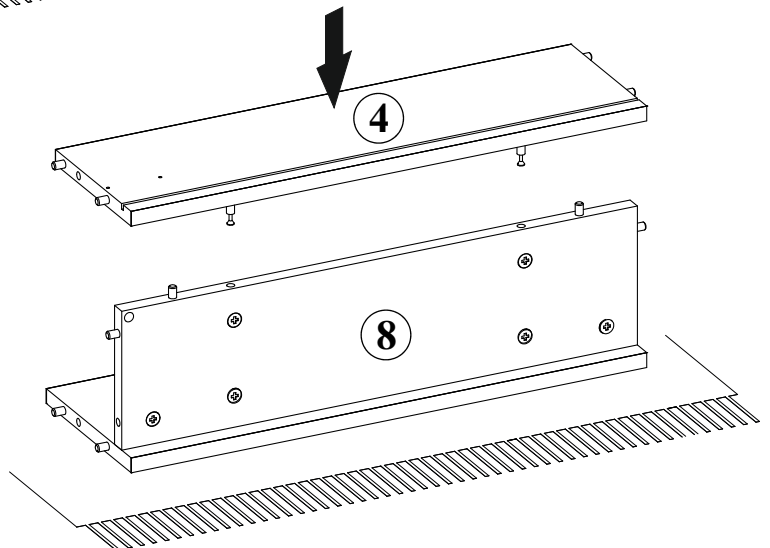
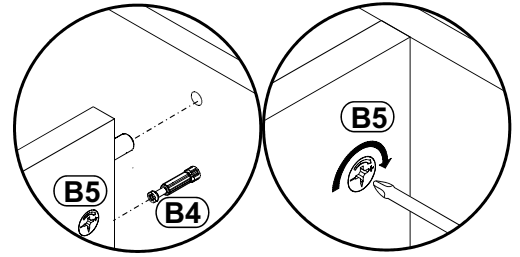
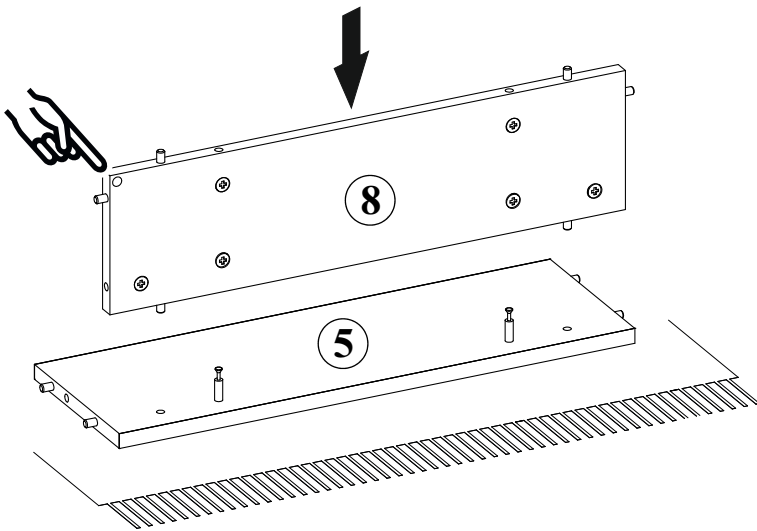


D12		E7	
x8	US $\varnothing 3,5 \times 16$	x4	H=0

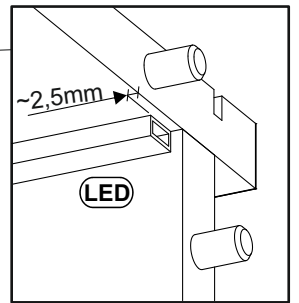
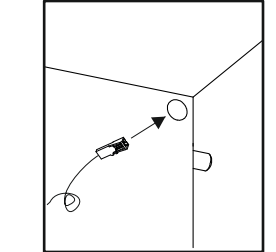
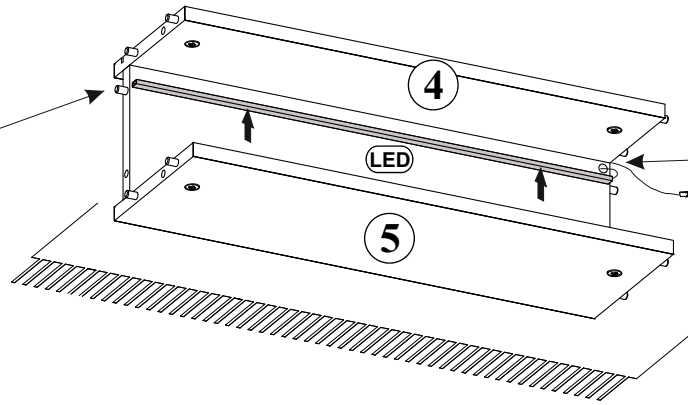
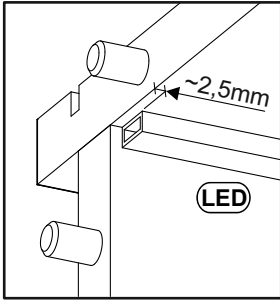
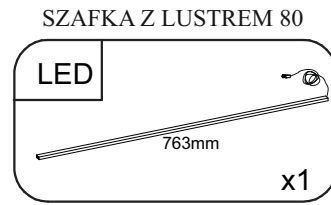
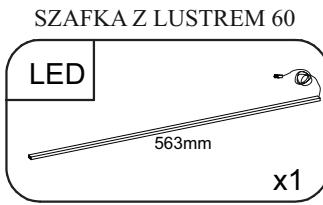
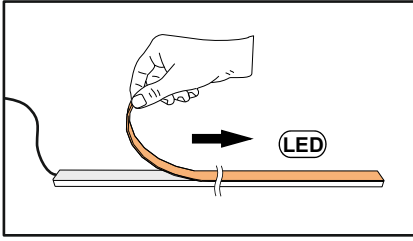
3



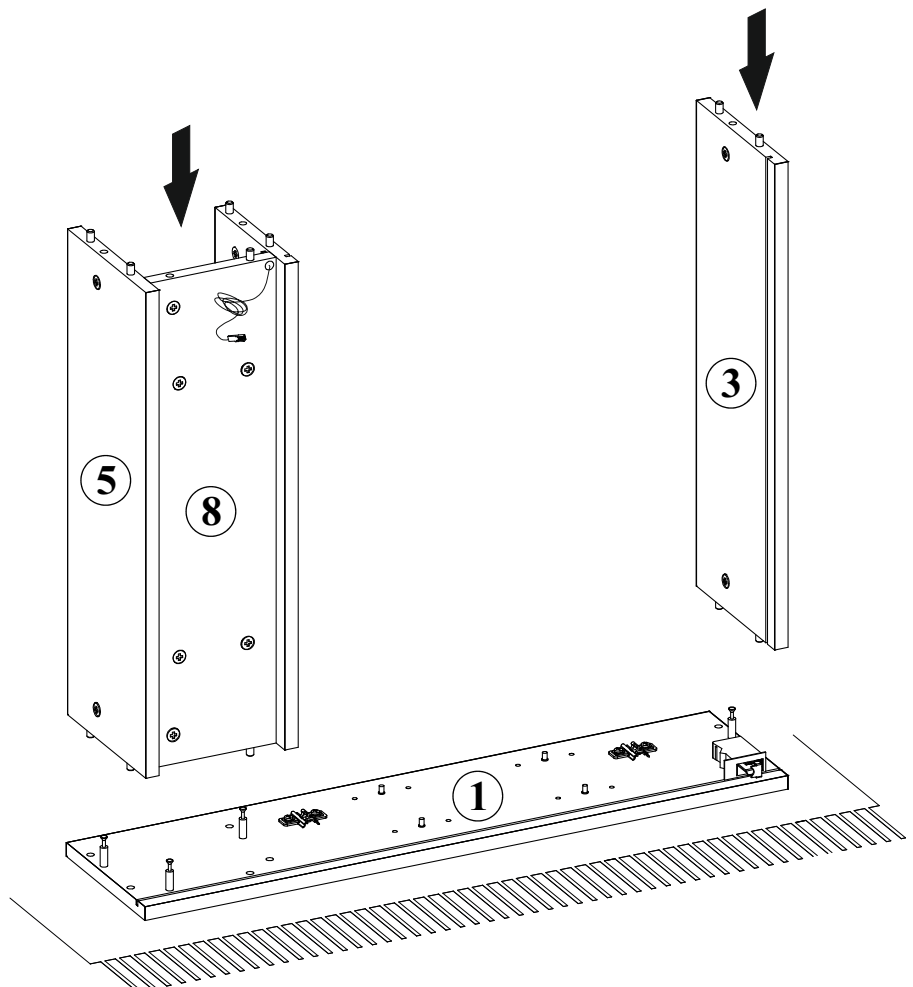
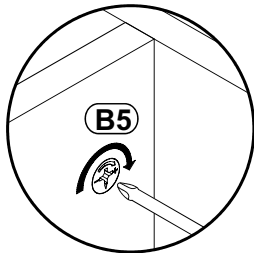
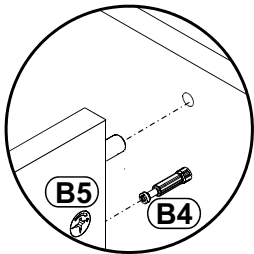
4



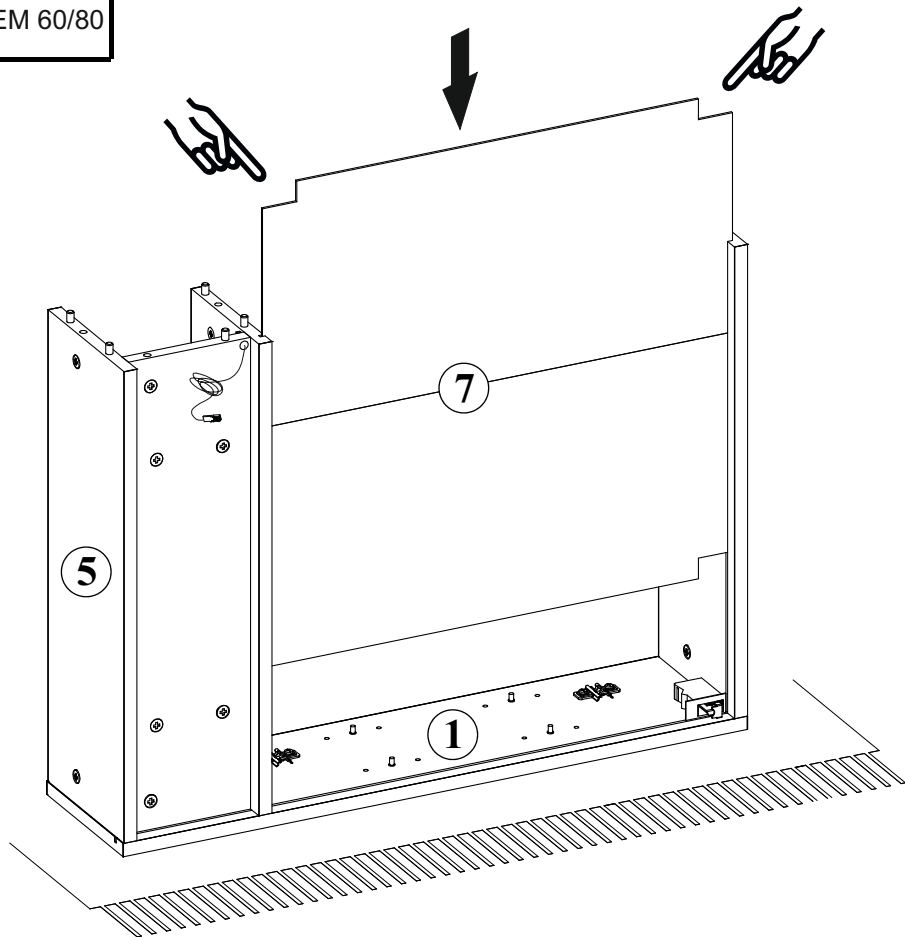
5



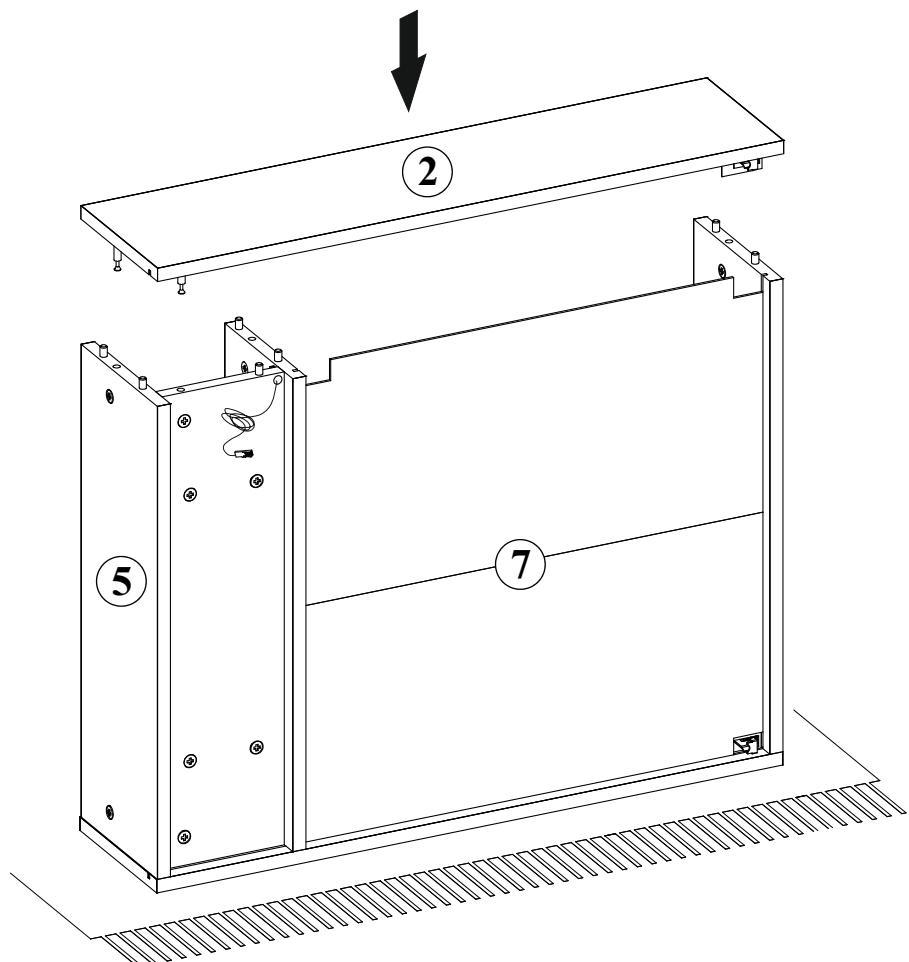
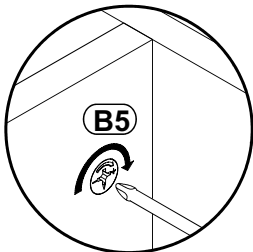
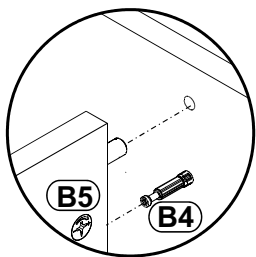
6



7

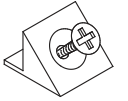


8

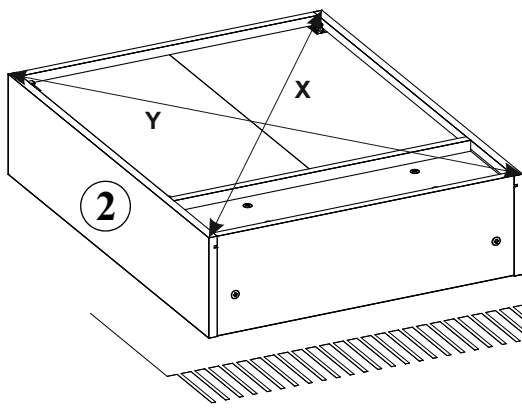


S1

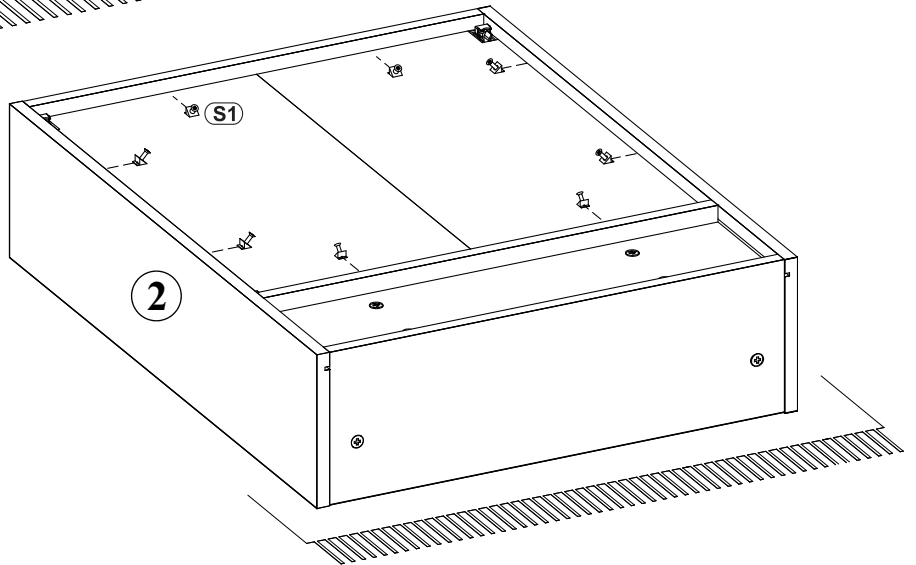
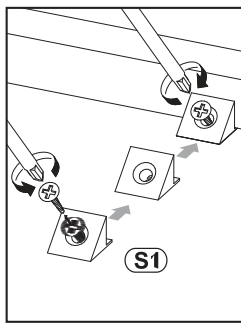
x8



9

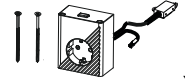


$X=Y$ $\uparrow 90^\circ$

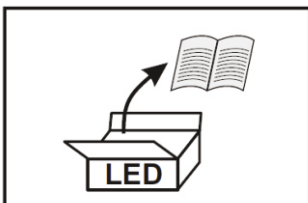
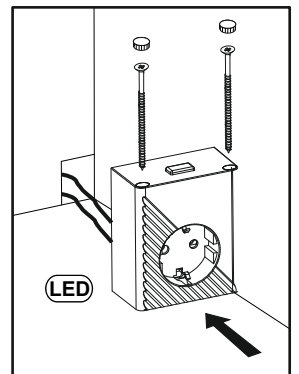
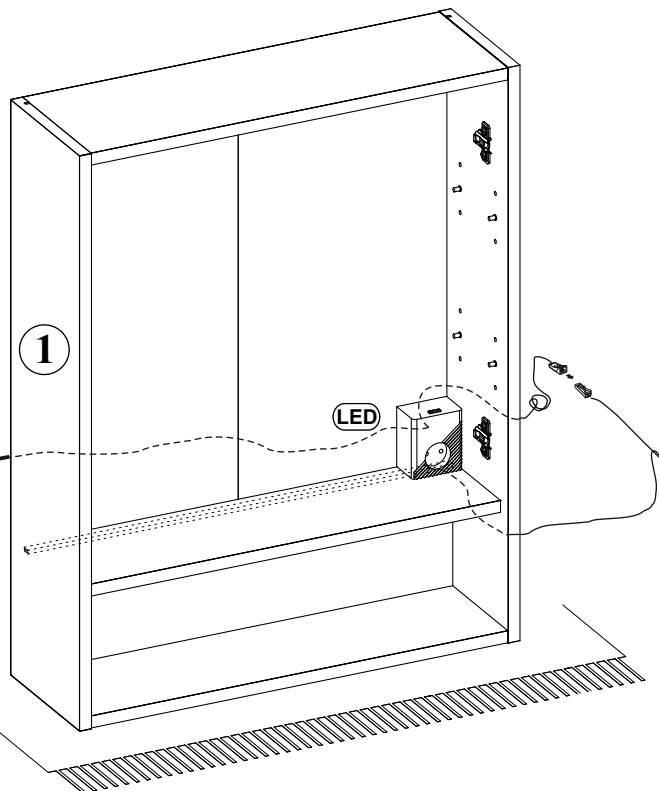
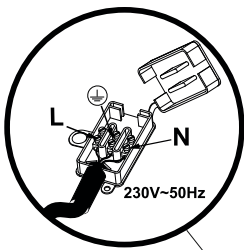


10

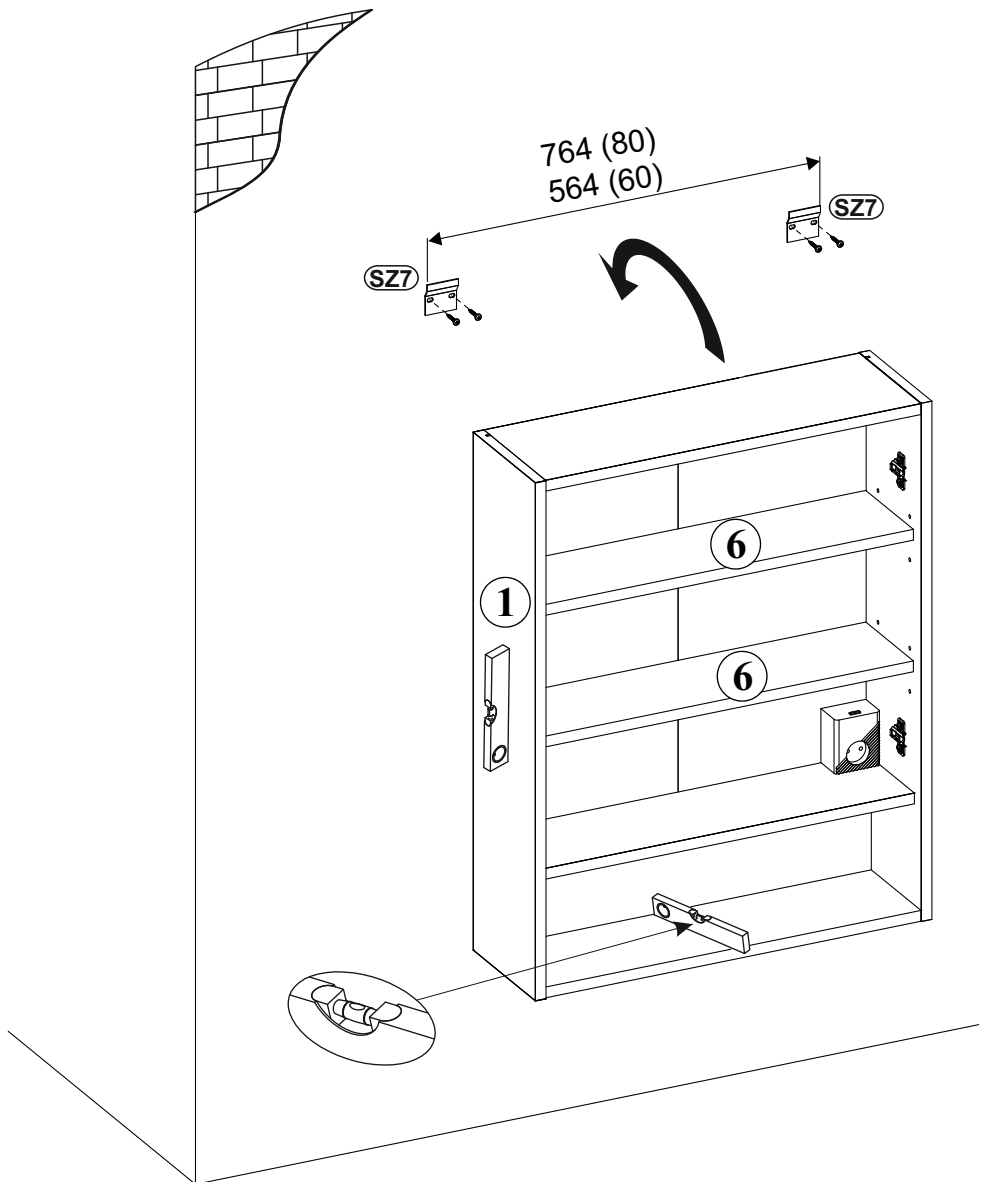
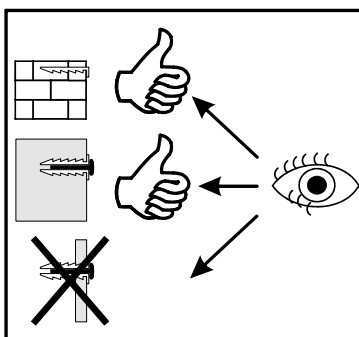
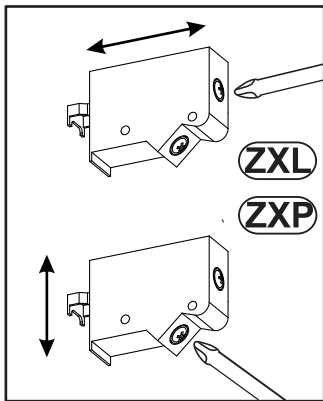
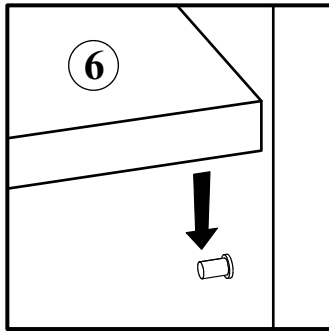
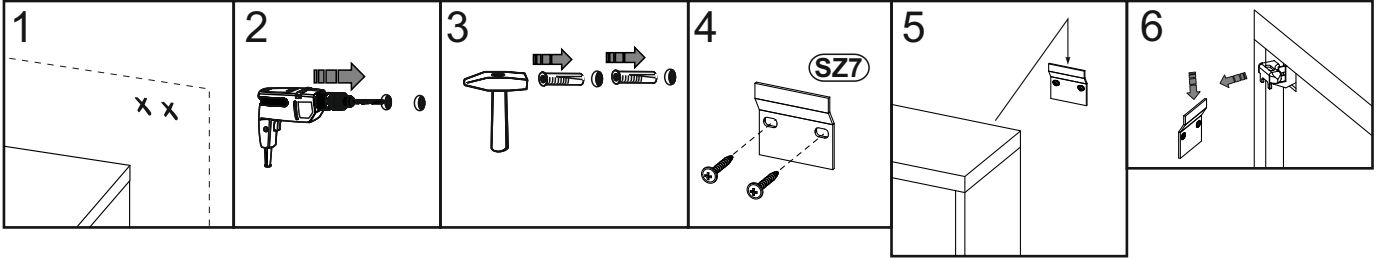
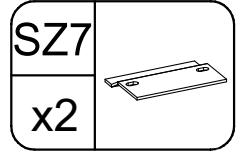
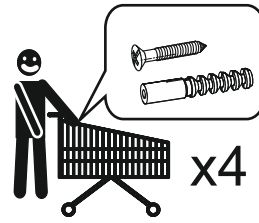
LED




x1



11



C5	
x6	

12

