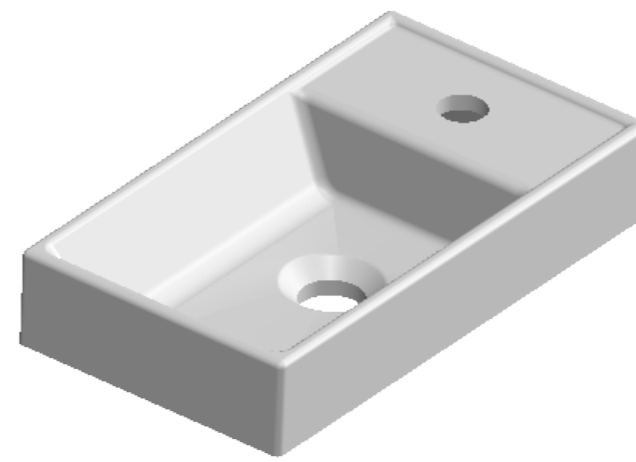
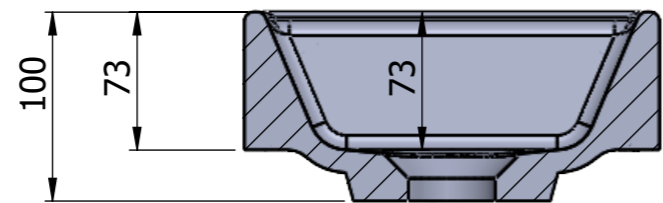
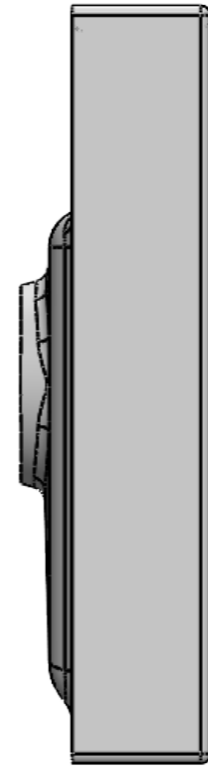
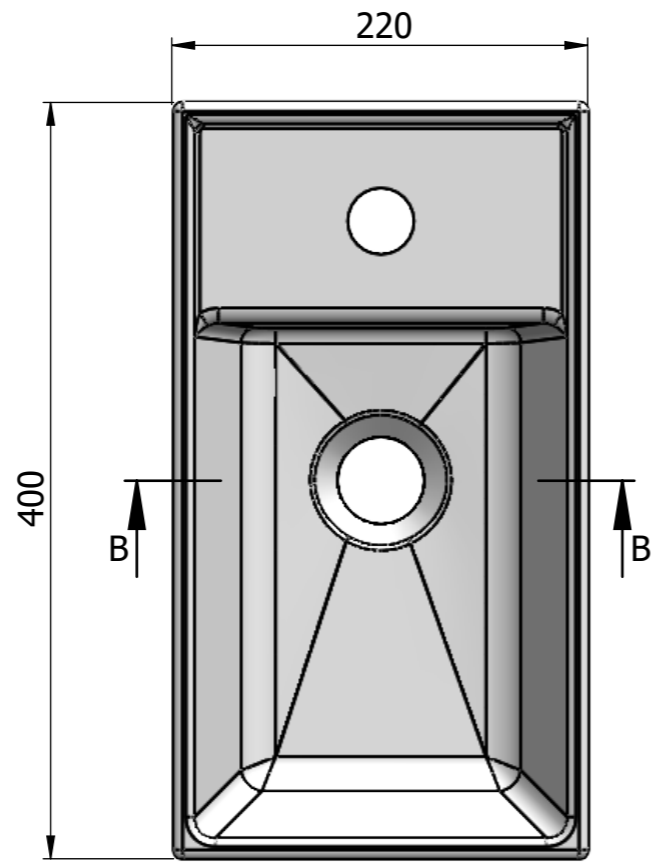


Copying, processing, distributing these materials in whole or in part without our consent is prohibited.



Tolerances in mm	
Length	+3/0
Width	+2/0
Height	±2
Hole location	±1
Hole dimensions	±1
Plane bending	±2
Longitudinal slope	10 mm
Transverse slope	10 mm
Material	Gelcoat